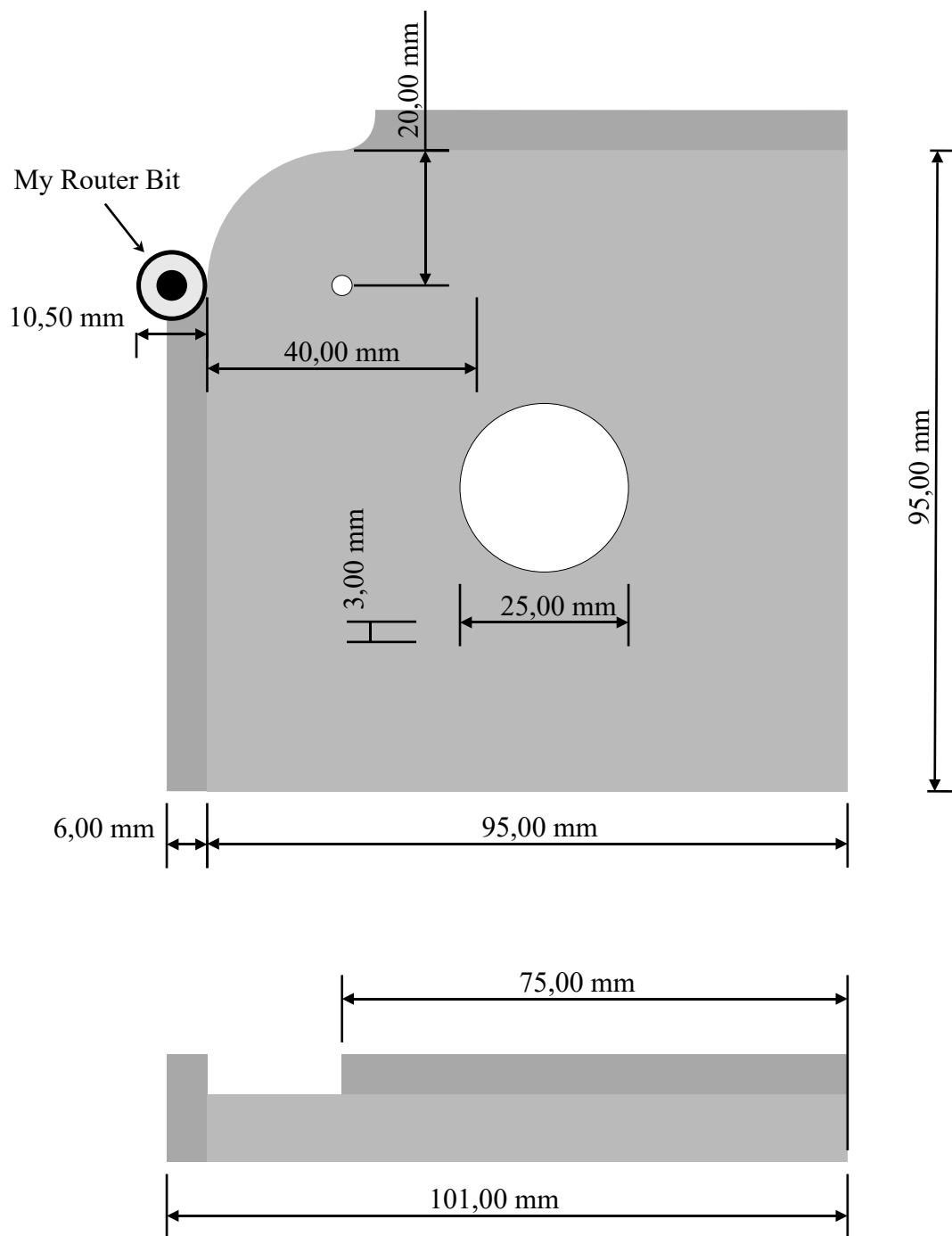
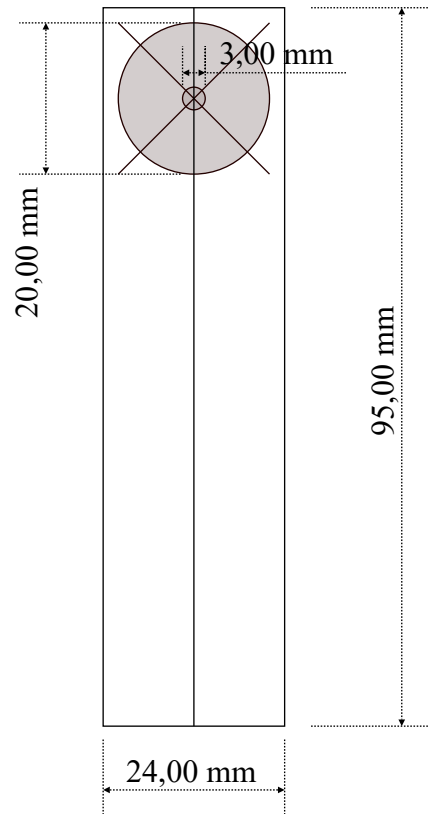
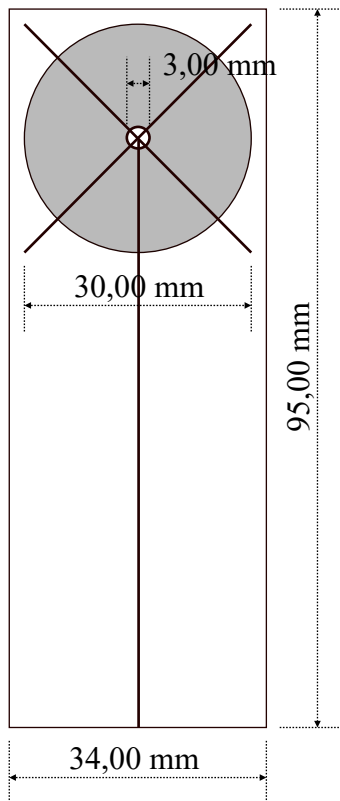
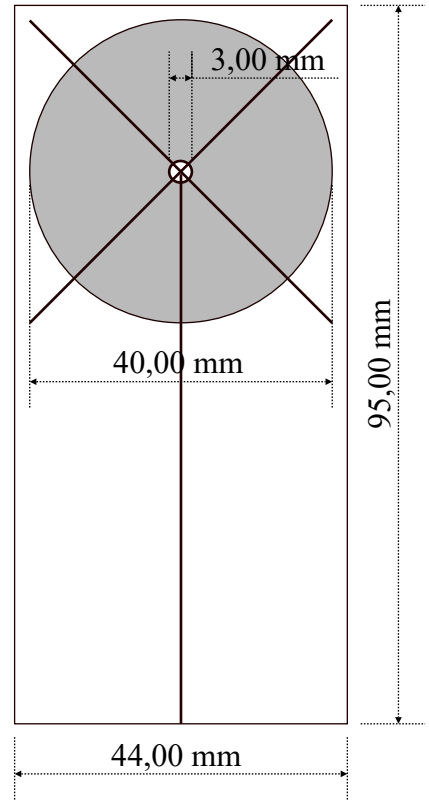
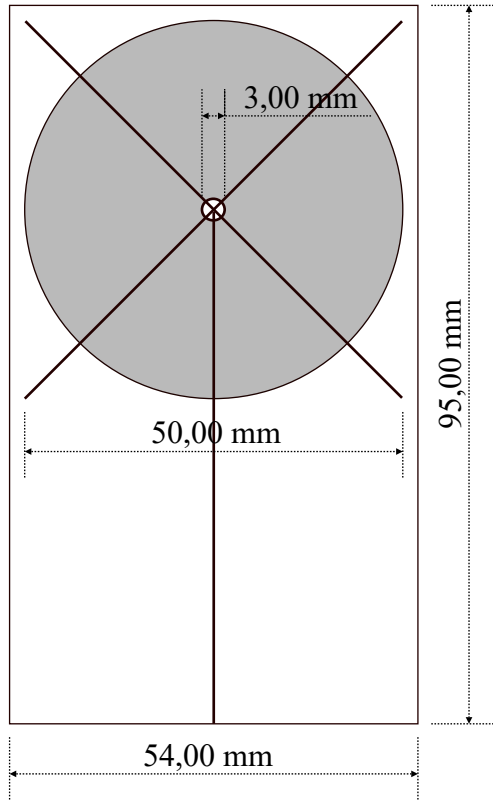
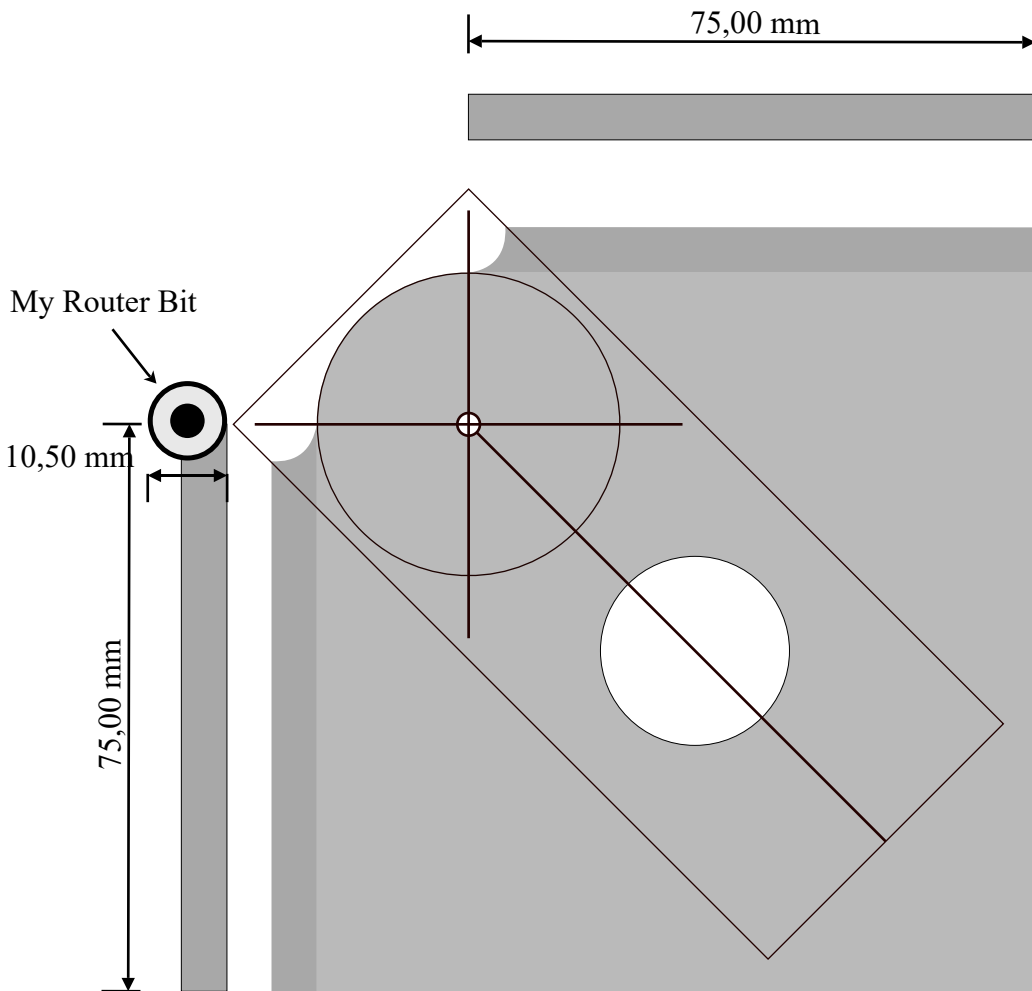


# Corner Radius Jig







YouTube

